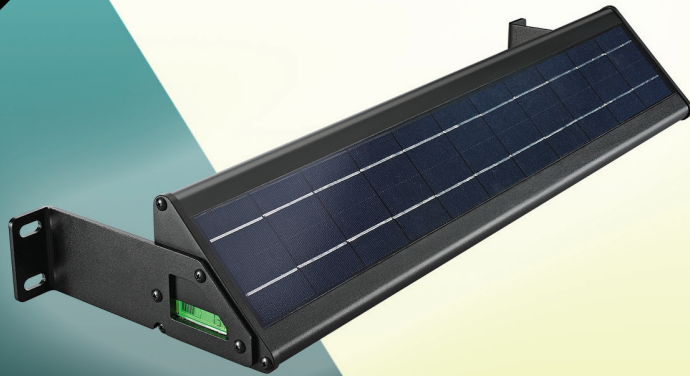


Solar Billboard Light



Product Overview

Easy to install, low maintenance and highly efficient solar billboard light incorporating Lithium Ion battery system.

It also includes a LCD battery level Indicator to regularly monitor the battery health, simple and fast.



Product Applications

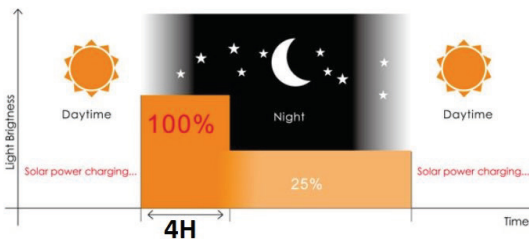
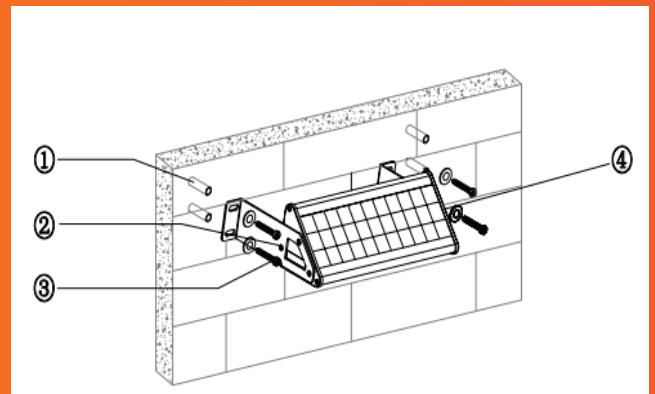
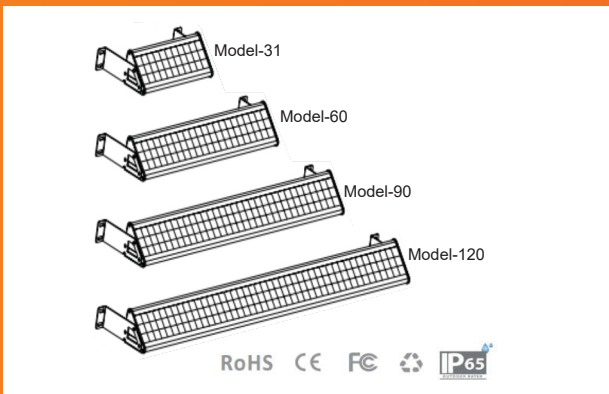
- Billboard lighting
- Facade lighting
- Display lighting
- And many more external lighting applications





Main Features

	Model-31	Model-60	Model-90	Model-120
Solar Panel Power Rating	5.5V 4.5W	5.5V 9W	5.5V 13W	5.5V 17W
Battery Rating	3.7V 8800mAh	3.7V 17600mAh	3.7V 26400mAh	3.7V 35200mAh
LED Power	5W	10W	15W	20W
Charging Time	8-9 Hours (1000W/m2)			
LED CCT	5000K (4000K, 6000K optional)			
LED Life Time	>50000 Hours			
Product Size	300*95*95mm	600*95*95mm	900*95*95mm	1200*95*95mm
Beam Angle	120 Degree			
Material	Aluminum Alloy + PC			
Controller	Sunshine Solar Controller			
Operating Mode	First 4 hours: 100% brightness, 25% for rest of the night till dawn			



Contact Us

Pecan Lighting: South Australian Distributors

Sales: 08 8329 6736

Email: sales@pecanlighting.com.au

Website: www.pecanlighting.com.au